



# Forsyth Amateur Radio Club, Inc.

# Newsletter



Founded December 30, 1930

May & June, 2005

## May Program Highlights



Ron Bailey, AA4S, regaled us with his tales of operating CW mobile at the May meeting. Ron has been very active in the NC QSO Party sponsored by FARC. Ron has activated every county in NC on CW (though not all in one weekend, of course). He has pictures from every county of the county-line signs. *Continued at the top of the next column*

The snowy picture on the bottom left shows the morning after the NC QSO party in the western end of the state. After Ron's presentation we all went out and looked at Ron's impressive mobile installation. He runs two (2!) ICOM 706's and keeps his log on a tape recorder.



After Ron's presentation, Henry, W2DZO, Chairman of the NC-QSO committee, presents Ron with his First-Place award for In-State, NC-QSO Party.

where to get straight answers about health & safety

## April Meeting Program

April 11, 2005



At the April meeting, Ronda Bumgardner, the Winston-Salem Journal's "Straight Answer Ma'am", aka Sam, talked to us about the types of questions she receives at the Journal.

Ronda receives all kinds of questions, while many are the same - some of them are most unusual. Usually she knows where to find the answers and

she shared with us some of her resources. Ronda's presentation was a refreshing change from our usually more technical programs. Her presentation was well received and we enjoyed having her join us in April.

# Winston-Salem Hamfest Saturday, June 11 Dixie Classic Fairgrounds

## Club Meeting, Monday, June 13, 2005

We will meet, as usual, on the 2nd Monday of the month at 690 Coliseum Drive in the Red Cross Building at 7:30 PM sharp in Room 09, but come early, say, 7:00-ish, to "hob-nob" with your fellow hams. **LICENSE EXAMS, Saturday, June 4, and Saturday, June 11, see page 9.**

**Forsyth Amateur Radio Club, Inc** is a non-profit (IRS 501(c)3) North Carolina corporation for the promotion of Amateur Radio, and for the education and training of hams and the general public primarily in Forsyth County, North Carolina.

FARC was originally incorporated as the Winston-Salem Radio Club on December 31, 1930 and has been in operation ever since. We currently maintain a state-of-the-art ham station in the basement of the Red Cross, 690 Coliseum Dr., Winston-Salem, NC and also maintain two 2-meter repeaters, 146.64 (100 Hz tone) and 145.47 (100 Hz tone).

FARC has a general membership meeting with a program on the 2nd Monday of every month at the Red Cross building, 690 Coliseum Drive in Winston-Salem. The club conducts its main business meeting (sometimes called the Board Meeting) on the 3rd Monday generally at the same location. This is where most of the club's business is conducted and all attending members have a vote. All club members are strongly encouraged to attend the business meeting. For more information about FARC mail us at FARC, Inc., PO Box 11361, Winston-Salem, NC, 27116; call 336-723-7388; or visit our web site at [www.w4nc.com](http://www.w4nc.com). Club email is to [w4nc@triad.rr.com](mailto:w4nc@triad.rr.com).

Officers for 2005 are:

President: Tom Gallagher, N4IOZ  
[n4ioz@triad.rr.com](mailto:n4ioz@triad.rr.com)

Vice-President: Melissa Hall, W4RXG  
[mhall@triad.rr.com](mailto:mhall@triad.rr.com)

Secretary: Robert Whitaker, KG4NEP  
[kg4nep@yahoo.com](mailto:kg4nep@yahoo.com)

Treasurer: Henry Heidtmann, W2DZO  
[henry@summitschool.com](mailto:henry@summitschool.com)

Newsletter Editor: Don Edwards, WS4NC  
[ws4nc@arrl.net](mailto:ws4nc@arrl.net)

To join our list server send a blank email to  
[w4nc-subscribe@yahoogroups.com](mailto:w4nc-subscribe@yahoogroups.com)

All content is Copyright 2005 by Forsyth Amateur Radio Club, Inc, unless otherwise noted. Permission is given to reproduce for non-commercial purposes provided proper credit is given. If you would like to help support the newsletter with an ad, please contact Don Edwards (email: [ws4nc@arrl.net](mailto:ws4nc@arrl.net)). Ad deadlines are 7 days before the end of the month. Rates are \$50 for 12 months. *Cheap!*

We trade newsletters with other clubs, and many local clubs are on our mailing list. If your club has a newsletter and would like to trade please send us a copy.

## Mileposts from FARC Members:

### He's World [In]Famous!:

I recently received the following most unusual email about one of our best programs last year. I passed it on to Dick Genaille - who tells me "Golly, it's wonderful to be world renowned." I'm interested to find out what happened with our "world-renowned raconteur". - WS4NC

Hi

I'm trying to track down Dick Genaille who is a member of your club and who managed WXLG Kwajalein in the mid-1940's. If you could pass this message on to him, we'd be very grateful. We invite him to visit our website [www.radioheritage.net](http://www.radioheritage.net) to view the article and photos we have there about the story of WXLG. We also invite him to share any other stories or photos or memorabilia he may have about WXLG through our on-line virtual archive of Pacific radio.

Membership is free to anyone interested in any aspect of Pacific radio, including amateur and military radio broadcasting, as well as the more usual AM, FM and shortwave stations.

*Thank you in advance Sincerely  
David Ricquish, Chairman  
Radio Heritage Foundation  
PO Box 14339  
Wellington, New Zealand  
[www.radioheritage.net](http://www.radioheritage.net)*

### And speaking of being worldly famous . . .

Raymond Taber, KL7UHF, was mentioned on ARRL website in relation to helping a fellow ham who was rescued after suffering a set-back in the Alaskan wilderness. The full details are at:

<http://www.arrl.org/news/features/2005/02/24/1/>

### Kudos to Tom, N4IOZ

I received a phone call one Friday that the cable was out at the Red Cross. Our audacious, bodacious and ever courageously-brave president<sup>1</sup> took time from doing his astro-physics homework (!) to repair the cable system at the Red Cross. He fixed a bad connector on the third floor and made some more cable runs as well as mounting the connectors in the lobby. There is a little other work to be done, which should be taken care of soon. Thanks Tom - WS4NC

### Kudos to Tim King, AG4RZ<sup>2</sup>

Thanks Tim for your excellent technical article last month. I know that it took some time to put some words together  
*Continued on page 3*

1. And Tom receives my undying thanks in the form of this handsome footnote.

2. And Tim also receives my undying thanks in the form of this handsome footnote.

and get it ready to print. It goes a long ways toward my personal goal to get some more technical information in the FARC Newsletter. Now to the rest of the club members - are you guys going to let Tim claim the November Homebrew prize **unchallenged** again this year? -WS4NC

### KG4NEP & WS4NC Went to "College"

The Potomac Valley Radio Club sponsored a "Contest College" with some of the biggest names in contesting making presentations. The contesters in FARC have joined with PVRC for the purposes of Contest Club scoring. Thanks to the generosity of Henry, W2DZO<sup>3</sup>, Robert Whitaker, KG4NEP and I received "scholarships". Unfortunately Henry had a family obligation that had to come first so he couldn't go.

Robert and I went to the PVRC Contest College and came back brimming with info and plans. We had a blast, and spoke/met/drank/ate with lots of great guys- and great contesters. To say that we were "blown away" by all the talks is an understatement. In particular the W3LPL, N3OC, and K3ZO discussions have given Robert cause to make a long wish list for W4WS.

The weekend started out on a sour note as we arrived at almost midnight and there was "no room in the inn". There had been a mix-up on the reservation. Everything for miles around was sold out. The night manager called the owner of the group of hotels (really!) who comped us a room for free. Unfortunately it was 35 miles further north. But I especially liked the price.

PVRC had the presentations professionally video taped with hopes of making DVD's available of the College. To properly "thank" Henry, I "volunteered" him to help with the editing of the tapes. Which leads me to . . .

### Kudos to Henry, W2DZO<sup>4</sup>

who, about 50 hours into the editing of those aforementioned tapes (and with several DVD's and ten's-of-hours yet to go) said "You're welcome". Well, not exactly in those words. I don't think I can print exactly what Henry said. After all, this is a family Newsletter. And for the record, I "volunteered" Henry to **help** - not to do the entire thing. But everyone else with editing experience jumped ship.

By the time of the Dayton Hamfest, those 6 DVD's will be on sale as a set. These DVD's represent a labor of love for all those who made presentations, as well as those who worked behind the scenes to make it happen. If we had seen

*Continued at the top of Next Column*

3. Who recieves our undying thanks in the form of this handsome footnote.  
4. *ibid.*

these DVD's when our little group started contesting we could have shaved ten years off our learning curve. **Ten years** - no kidding.

So, thanks and kudos Henry for all your editing efforts and for the scholarship. And look at it this way - you did get to go to the College after all.

*Don, WS4NC*

### Tales From The Sand . . .

Raja, KB6MTH has a great blog going on his intrepid adventures as a MD serving in Kuwait. Read the details at <http://desertmedicine.blog.com/>

### It's a girl!

Tripp Owens, N4NTO, though he lives far from Winston-Salem in exotic Tarboro, follows FARC through the Newsletter and our email reflector. Tripp and family worked mobile in the NC QSO Party, see pictures on page 6.

Word just reached me that there is a new member of the Owens family: Sadie Worrell Owens, 8 lbs, 5.7oz, 21" long, born May 26, 2005 10:55am. Johanna, Tripp, Simon, and Sadie are doing great!

Congratulations!

---

## UPCOMING HAMFESTS & OTHER HAM DATES

**June 11, 2005**

Winston-Salem "Big Classic" Hamfest  
Dixie Classic Fairgrounds  
Winston-Salem, NC  
[www.w4nc.com](http://www.w4nc.com)

**June 25 & 26, 2005**

ARRL Field Day  
Plans are for W4NC to be at Hobby Park on Clemmons Rd.  
Same as last year.

August 27-28, 2005

West Virginia State ARRL Convention  
West Virginia State Amateur Radio Council Weston, WV West  
Virginia Convention Center, Jacksons Mill Route 1, Box 210  
E-mail: [w8xf@arrl.net](mailto:w8xf@arrl.net)

September 3-4, 2005

Shelby Hamfest  
Shelby Amateur Radio Club  
Shelby, NC  
Cleveland County Fairgrounds  
1751 Marion Street  
<http://www.shelbyhamfest.org>

*Continued on page 4*

*Hamfests, etc., Continued from page 3*

September 17-18, 2005

ARRL Roanoke Division Convention  
Virginia Beach Hamfest and Electronics Flea Market Tidewater  
Radio  
Conventions Virginia Wesleyan College  
1584 Western Drive  
<http://www.vahamfest.com>

October 29, 2005

South Carolina State ARRL Convention  
Grand Strand Amateur Radio Club  
Conway National Guard Armory  
1621 16th Ave  
Conway, SC  
<http://www.w4gs.org>

December 17, 2005

**W4NC 75th Anniversary Special Event Station**  
1300z to 2100Z (8:00 AM-4:00 PM EDT)  
Look for updates and more details in a future Newsletter.

## **W4NC 75th Anniversary**

### **Plans are tentative right now, so check back later.**

A working plan is in progress to have a special event station. The station will consist of 2 vintage radios provided by Gary, WA4IAM and Henry, W2DZO and they will operate on AM and CW. We will use one of the station radios on SSB. We are just going to name some general frequencies in the announcement. Only because we have to but will try to get close to them.

Tim, AG4RZ, has mentioned that he can get a nice certificate made up and Henry can get copies of the original W4NC QSL card. We are going to offer either a certificate or a card and I will handle the QSLing.

The day is tentatively set as December 17, 2005 and the times will be approximately from 1300z to 2100Z (8:00 AM-4:00 PM EDT).

I'll get the announcement submitted into QST and CQ magazines and also into the CDXA newsletter..

73,  
*Ed, KU4BP*

## **ARES Net**

Just a reminder, please join us on the Forsyth County Ares Net Thursday evenings at 8:30 p.m. on the W4NC repeater, frequency 145.47 MHz.

73, *John, N0KTY*  
*Forsyth Emergency Coordinator*

## **FCAN Report - April 7, 2005**

Net started at 8:30 PM. N4PAA was net control.  
Check-ins - 10. Stations were N4MBI Rick, KG4ECI Dan, KG4FGC Ken, WF4DD the WFU Club Station, N4IOZ Tom, WB4QXG Fred, KC4WSK Van, KG4NEP Robert, KC9AMA John (visiting area from Riverton, IL. and N4PAA Carl.

There was no traffic.

There were two announcements. KG4FGC Ken announced that the spring MS Walk will be held on Saturday, April 16th on the Wake Forest University campus. The WFU Club will be coordinating the event, with volunteers welcome. Anyone who would like to help provide communications for this event can either contact Ken on this weekly net or e-mail him at [hoglund@wfu.edu](mailto:hoglund@wfu.edu). The event activities get underway about 8 AM and are over by 12 noon, with lunch provided for volunteers.

Also, a Basic Spotter Training class is tentatively scheduled for May 10th. The class will be on the Wake Forest University campus in a building and room to be announced later, with a probable start time of 7 PM. More details will be announced on future nets.

No Emergency Coordinators were available for the ARES meeting. N4PAA Carl mentioned that one of the items we can have ready for emergencies is spare battery power and a way to connect it to any radio. He put in a plug for the Anderson PowerPole connectors that are the ARES standard connector, and how having a mated set in all your power cords can come in handy. They allow mixing and matching between the available power supply connection and your rig connection.

Formal session: 13 minutes. Informal session: 4 minutes. Total time: 17 minutes.

*73, N4PAA, Carl*

## **FCAN Report - April 21, 2005**

Net started at 8:30 PM. N4PAA was net control.  
Check-ins - 8. Stations were AG4RZ Tim, KG4ECI Dan, KG4FGC Ken, WF4DD WFU Club station, KF4HHG Tim, KK4KK Pete, KI4FCP Jack and N4PAA Carl.

There was no traffic. There was one announcement. KG4FGC Ken announced that there will be a Basic Spotter Training class on May 10th from 7 to 9 PM in Room 202 of Wingate Hall on the Wake Forest University campus. Wingate Hall is attached to Wait Chapel which makes it easy to find - it's the only building that looks like a church.

No Emergency Coordinators were available for the ARES meeting.  
Formal session: 10 minutes. Informal session: 5 minutes. Total time: 15 minutes.

*73, N4PAA, Carl*

## **FCAN Report - May 12, 2005**

Net started at 8:30 PM. Net Control station - N4PAA.  
Check-ins: 6. Stations were KG4ECI Dan, NA4P Fred, NW4O Jack, KG4FGC Ken, WF4DD WFU Club Station, KF4EOD Mike and N4PAA Carl.

No Traffic. No Announcements.

No EC was available for the ARES meeting. N4PAA Carl commented on the Basic Skywarn Spotter Training Class that was held the pervious Tuesday night at WFU. The NWS keeps refining the training and updating their graphics and video clips to make each class different and more informative than previous classes.

Formal session - 10 minutes. Informal session - 5 minutes. Total time - 15 minutes.

*73, Carl, N4PAA*

## Results of the 2005 North Carolina QSO Party "It Keeps Growing, and Growing...."

by Henry Heidtmann, W2DZO

The 2005 NCQP turned out to be our largest turnout in recent years- close to 100 logs were turned in, and 98 out 100 counties were activated (Stokes and Cumberland were the hold outs this year....)The winter weather has plagued the event in recent years, but not much this time. Only the typical winter closings existed- the Blue Ridge Parkway closings, and some sleet in the southwest part of the state. News of our QSO party went beyond the standard channels of announcements in CQ, QST and on the email reflector. The Associated Press actually carried a story by NC Public Information Coordinator Bill Morine, N2COP on the wire about the NCQP. (You can read the story in the Soapbox section below.)



**Don K4PK's jeep hood strapped down after it was almost torn off by a passing truck.**

We once again thank all the participants this year. The awards committee gave out several more plaques and certificates this year to recognize many great efforts- In some cases, the 2nd place scores were as good as some of the past winning efforts. We feel it is important to recognize those operators. As usual, we will have all awards at the Dayton Hamvention this year. Simply come by Flea market space #3320 and show us ID to collect your award. If you cannot be there, don't worry. All plaques and awards will be mailed after Dayton. (If you'd like to arrange for pick up at our Annual Winston-Salem Hamfest on June 11, we can do that as well....) We continue to pride ourselves in getting awards out to our participants within 3 months of the contest.

One note about logs this year. I went through the pain of moving in January (and NEVER want to go through that

again...) and had mail forwarded to my new address for 3 months. I posted each call sign of received logs on the FARC/NCQP website as I received them on line or at the mailbox. I hope that no one's log got lost in the forwarding process.

Enough chit-chat, lets look at the results!

### SINGLE OPERATOR

In the In-State category, it was Steve Lympany WA3TMR who piloted the 1X1 call N4C to the top spot this year from Wake County. Close behind Steve was CDXA member Roy Lincoln WA4DOU working from Nash County. These 2 operators were within 50 QSO's of each other, with both working a heavy load on 40 meter CW- the workhorse band of the top 3 instate operators. Coming in third was Ben K4GHS from Yadkin county, who also won the Forsyth Amateur Radio Club member plaque for his effort. The top multiplier plaque goes to Bill K4TZZ from Henderson county who topped all in state single operators with 48 county mults.

Out-of-state, well, the contractor has already been called to Keith Pederson's house in Pennsylvania (WA3HAE) to build another wall for yet another NC QSO Party plaque. Keith edged out Larry, N4VA's Virginia effort by 35 QSO's to pick up his 4th win in as many years. Third place goes to Maryland operator Bob, K4MUT. As a mobile operator that day, I can tell you that these guys were LOUD all day. Listening to these guys operate, especially as they work the mobiles, was a treat; courteous, well disciplined, and willing to share that rare county. We had 5 DX stations submit logs, with DL3GA coming out on top. The top Canadian operator was our good friend Norm, VE3NBJ. Our out-of-state participants really make our event, and we all tip our hats to you.

### CLUB COMPETITION

The in-state club competition had a new player this year with the gang from the Carolina DX Association activating the Discovery Place amateur radio station W4DXA in Charlotte. When the dust settled, the new guys on the block picked up the First place plaque, nice work! Second place goes to the Randolph ARC station NC4ZO, who just happens to have the best food and drink spread I've seen for NCQP. I had the chance to visit them during the contest and though I had to leave because of an impending sleet event, I nevertheless enjoyed a piece of cake and promptly took a second one in the car with me; Thanks Butch, WS4H and company! Third place winners were the Brightleaf ARC/Pitt County ARES club NC4PC.

Out-of-state competition in the Club category was a lock as the Cornerstone RC from Florida once again won the plaque, with the Carolina CW Ops club K5GFN from South



**Pictures of N4NTO/M (with N4JSO) - a family affair!!**

Carolina picking up second place. Again, we hope to have more out-of-state club competition next year. Ideas?

## QRP

The in-state winner in the QRP category was Beaufort county's Kevin Miller, KI4DEF using 40CW, with Eric Luther, KI4LD from Asheboro picking up second place. Out of state it was Ohio's Paul Kirley, W8TM with a huge 60 QSO total to lead the pack. Dan Alwin, KE0G used his Elecraft K1 to take second place from Minnesota, with Tom Warren, K3TW from Maryland coming in 3rd.

## MOBILE

It has been said by many that the North Carolina QSO party has continued to grow and gain a great reputation because of the great many mobile operators that log several thousand miles cumulatively in 10 hours. People come back each year just to follow these guys! In recent years, there has been a great competition in the instate category (unlike the out of state category, which only receives a couple of logs each year) and this year was no exception. In fact, the 2 top operators in the category had numbers which were so prolific that the committee felt 2 plaques were called for. People followed all our mobile operators closely, but Ron, AA4S and Jeff, NY4N seemed to be everywhere. In fact, these guys made 1383 QSO's between them in 10 hours- do the math- they had a combined rate of 138/hour, or even better, a 69 QSO/hr rate on average. Many die hard contesters have a tough time making those kind of numbers in large scale DX contests! Tom, N4RS did a terrific job with just over 500 QSO's, with the remaining mobile ops logging over a combined 1100 QSO's. We are so proud of our mobile operators, and we are pleased that they choose to come back year after year and give out all these counties.

Don, K4PK took a stab at a plaque by submitting 1 QSO in the mobile out-of-state category. And it worked, as he was the only one who did so. (Don also managed a great effort in-state...) We'll see if this category remains in play for next year!

The NCQP committee would like to thank all the folks who make this contest possible- the Forsyth Amateur Radio Club and its members for the sponsorship of plaques, certificates, and webspace, the Winston-Salem Contest Crew for manning the bonus stations (KG4ECI, WB4MSG, AG4RZ, KG4NEP, WS4NC) Our local PIO Melissa Hall W4RXG and NC PIC Bill Morine, N2COP for press coverage, check log submitters K4HA, N4IOZ, N1NN and W4MBD, and to all the operators who make this event so fun to be a part of. We'll see you next year!

73, W2DZO

## 2005 North Carolina QSO Party Soapbox

**Jeff AA4RT:** Doubled my contacts from last year. Great contest for little guys.

**Dave K5MQ:** Had fun working QRP!

**Tom KC9ECI:** Thanks for the great contest and the chance to work some more QRP CW! Antiquis temporibus, nati tibi similes in rupibus ventosissimis exponebantur ad necem.

**Gedas LY3BA:** Great mobile activity. Unfortunately, band conditions left me too early. 73&CU next year.

**Roger N1NN:** 1ST North Carolina QSO Party!

**Jeff and Becky NY4N and AF4QB:** Enjoyed another wonderful contest. Thanks to all that followed us around. Had a big round of Murphy at the beginning, with some newly installed equipment not functioning properly, but lucky we had some spares. Weather was good till the last two hours of the contest, roughly from Charlotte westward to Transylvania County. - What started out as rain in Mecklenburg County became a heavy wet snow toward the end. We were not sure we were going to make Transylvania County, our timing off due to the snow. We made our last county with five minutes to spare, so some ops got to log it. Sorry to the rest of you guys and gals. - Hope everybody had a good time and worked the counties they needed. 73 for now and hope to cu next year.

**Keith WA3HAE:** Oh what fun it is to chase mobiles! They did outstanding job lighting up the counties this year. Worked Jeff, NY4N, in every county that he ran (24!). Hats off to all and thanks for all of the Q's. Equipment: TS850S/AT @ 100w, 40 & 80-meter dipoles @ 55'.

**Kevin and Sally KA4NWS/M:** We operated from the Motor-home this year using hamsticks on the rear bumper. Unfortunately, we should have had an antenna above the roof-line! Anyway, great contacting you all and looking forward to next year already! 73!

**Don Aldridge K4PK/M:** Here is my log and summary sheet. Also a picture of the Jeep with the hood strapped down after my encounter with a blast of air from a 18-wheeler in Sampson County. Had a great time, and hope my 1 contact as a VA mobile wins the out of state mobile category!

**James, K0HW:** Thank you for the contest, I missed it last year but since I enjoyed it in 2003. I thought I would try again. I will try to spend more time on it next time.

**Logan VE7TLH:** Only one Q but it was a good one and I had to work for it

**John W4DXA - Carolina DX Association:** What a surprise to work Greenland in the contest and then find the log posted on the contest website. We used N3FJP's logging software. When we worked and logged N3FJP in the contest, his software offered us a "thank you" for using his software. Nice touch.

**Gary CU2JT:** RIG: Kenwood TS-570D, PWR: 100 W, ANT: 40m 1/4 wave vertical, ANT: 20m 1/2 wave vertical.

**Tripp N4NTO:** I suppose if you need the 911 service advertised at Tyrell/Hyde, a satellite phone might be needed. That is in the sticks.

**Bill W4WNT:** This year was very quiet on 20m for me, I really missed those multipliers as a mobile! Rain at the end of the event made things more difficult changing antennas. W4DXA, K4BAI, WA3HAE, NC4CQ were easy to find, I found AA4S out in Clay county, the first time I've worked him in the NC party. Enjoyed the event, look forward to next year. As always, I need to improve my antennas, especially to eliminate swapping antennas every time I change bands. The N3FJP software worked well (post contest).

Continued on page 9

# FIELD DAY BONUS POINTS

*From ARRL*

**100% Emergency Power:** 100 points per transmitter classification if all contacts are made only using an emergency power source. Free transmitters do not count towards the group's total (GOTA station and free VHF Station for Class A entries) and do not qualify for bonus point credit. All transmitting equipment at the site must operate from a power source completely independent of the commercial power mains to qualify.

**Media Publicity:** 100 bonus points may be earned for attempting to obtain publicity from the local media. A copy of the press release, or a copy of the actual media publicity received (newspaper article, etc) must be submitted to claim the points.

**Public Location:** 100 bonus points for physically locating the Field Day operation in a public place (shopping center, community park, school campus, etc). The intent for amateur radio to be on display to the public.

**Public Information Table:** 100 bonus points for a Public Information Table at the Field Day site. The purpose to make appropriate handouts and information available to the visiting public at the site. A copy of a visitor's log, copies of club handouts or photos is sufficient evidence for claiming this bonus.

**Message Origination to Section Manager:** 100 bonus points for origination of a National Traffic System (NTS) style formal message to the ARRL Section Manager or Section Emergency Coordinator by your group from its site. You should include the club name, number of participants, Field Day location, and number of ARES operators involved with your station. The message must be transmitted during the Field Day period and a fully serviced copy of it must be included in your submission, in standard ARRL NTS format, or no credit will be given. The Section Manager message is separate from the messages handled in section 7.3.6 and may not also be claimed for bonus points under that rule.

**Message Handling:** 10 points for each formal NTS style originated, relayed or received and delivered during the Field Day period, up to a maximum of 100 points (ten messages). Properly serviced copies of each message must be included with the Field Day report.

**Satellite QSO:** 100 bonus points for successfully completing at least one QSO via an amateur radio satellite during the Field Day period. Under the "General Rules for All ARRL Contests" (rule 3.7.2.), the no-repeater QSO stipulation is waived for satellite QSOs. Groups are allowed one dedicated satellite transmitter station without increasing their entry category. Satellite QSO's also count for regular QSO credit. The QSO must be Earth-Satellite-Earth in nature.

**QSOs also count for regular QSO credit.** Show them listed separately on the summary sheet as a separate "band." You do not receive an additional bonus for contacting different satellites, though the additional QSOs may be counted for QSO credit.

**Alternate Power:** 100 bonus points for Field Day groups making a minimum of five QSOs without using power from commercial mains or a petroleum driven generator. This means an "alternate" energy source of power, such as solar, wind, methane or water. This includes batteries charged by natural means (not dry cells). The natural power transmitter counts as an additional transmitter. If you do not wish to it to increase your operating category, you should take one of your other transmitters off the air while the natural power transmitter is in operation. A separate list of natural power QSOs should be submitted with your entry.

**W1AW Bulletin:** 100 bonus points for copying the special Field Day bulletin transmitted by W1AW during its operating schedule during the Field Day weekend (listed in this rules announcement). An accurate copy of the message is required to be included in your Field Day submission. (Note: The Field Day bulletin must be copied via amateur radio. It will not be included in Internet bulletins sent out from Headquarters and will not be posted to Internet BBS sites.)

**Non-Traditional Mode Demonstrations:** A maximum of 300 bonus points (100 points for each demonstration up to three) for setting up a demonstration of a nontraditional mode of amateur radio communications. This includes modes such as APRS, ATV, and SSTV. This bonus is not available for demonstration of a mode for which regular QSO credit is available, such as PSK31.



**A collage of photos from Field Day 2004. In the upper left is Alice "I'm so cute it hurts" Chatterjee whose Daddy, Raja, KB6MTH, is rumored "maybe" to be in town and not Kuwait for Field Day this year. But even if Raja can't make it Alice can bring her mommy this year. In the lower right, Henry, IV, N4VHK, is making contacts, while Henry, III, W2DZO watches from the left.**

Come and join the fun! Field Day this year will be at Hobby Park, off Clemmonsville Rd. in Winston-Salem. We'll meet for breakfast Saturday, June 25 at 8 AM at Jimmy the Greek's (across from the Coliseum), then at 9 AM at the Red Cross to move the gear. Then we should get to Hobby Park around 10 AM. We'll be operating from Hobby Park all day Saturday through the night until FD ends at 2 PM Sunday. We will have burger's and hot dogs for our annual Field Day Bar-B-Que at 6 PM Saturday. Bring a dessert or a side dish if you like!

# Let's Build Stuff

I'm still trying to get some interest in building things in the Club. Last month Tim, AG4RZ<sup>5</sup>, did a superb review of building a nice Power/Swr bridge from a kit. This month I want to show how easy it is to build a simple audio amplifier using the LM386 IC. In the following months, consecutively I hope!, I'll add one additional stage per month and we will soon have a receiver.

This way we can break everything into easy little pieces that should only take an hour or two a month. And it's doubtful that the cost of any of the parts will exceed \$10 - although I make break that rule occasionally.

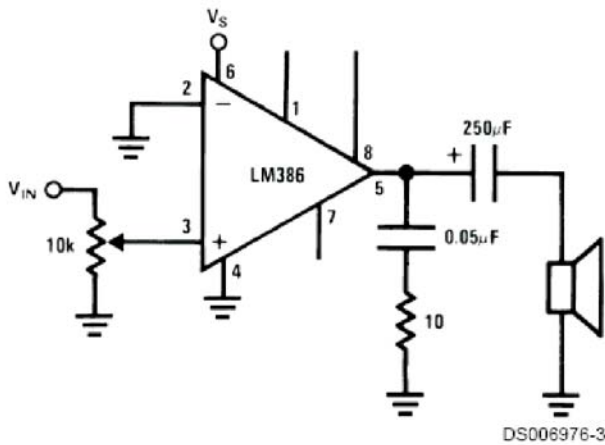
The LM-386 is a marvelous little IC. It can operate over a wide range of supply voltages, about 4 volts to 18 volts, and can deliver up to about 1/2 Watt of clean audio without a heat sink. There are several variations of this IC - the LM386-1 is the lowest power version at 1/4 Watt, the LM-386-3 is the 1/2 Watt version and the LM386-4 is capable of nearly a watt with the right conditions. They are pin-for-pin compatible. They are available in surface-mount, although I'm going to use the 8-pin mini-DIP package. The spec sheet is available at

<http://www.national.com/ds/LM/LM386.pdf>

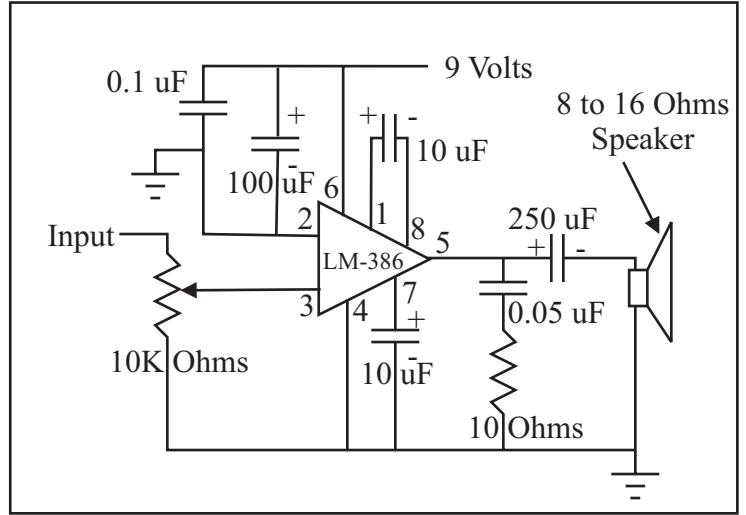
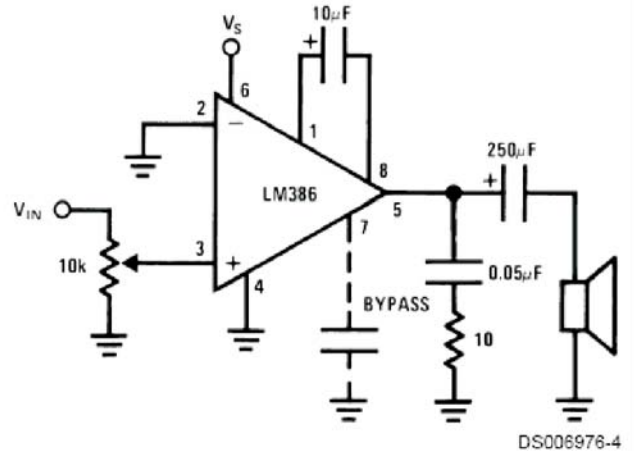
and they are available from Digikey or Mouser Electronics for less than a dollar each. Less than twenty-five cents each if you'll order a thousand of them, which I doubt you'll want to do. Radio shack has them but you'll pay probably \$2 for the convenience of getting them at the mall.

Shown below are the minimum-parts diagrams from National's spec sheet. The circuit really needs a few extra parts to work well.

**Amplifier with Gain = 20  
Minimum Parts**



**Amplifier with Gain = 200**



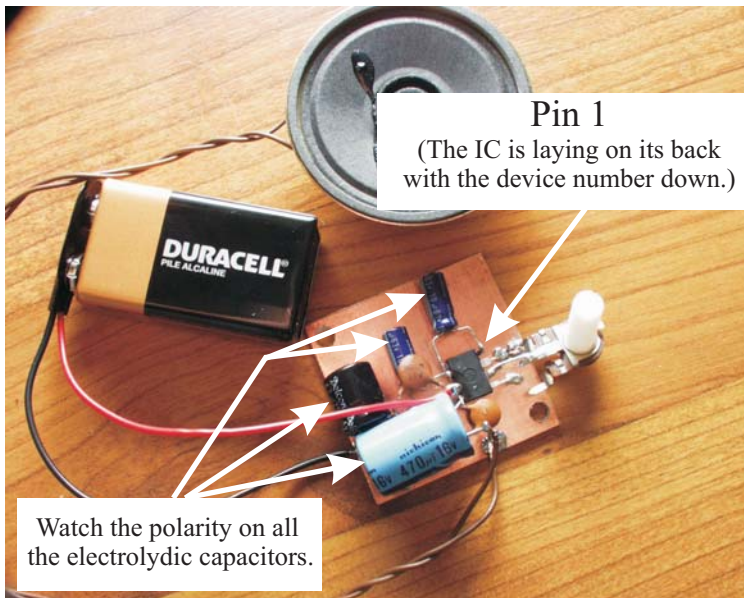
The diagram above has a 100 uFd capacitor from pin 6 to ground and a 0.1 uF from the 9 volt supply to ground. If you leave these out the circuit is likely to oscillate. Especially if you use the high gain circuit. The high gain circuit has a 10 uF from pin 1 to pin 8. Adding a 1.2 kohm resistor in series with the 10 uF drops the gain down to 50. Leaving pins 1 and 8 disconnected drops the gain to 20. There are times when we don't want as much gain, but for the first amplifier we will need as much as we can get, so we'll leave the 10 uF in.

What if you don't have a 10uF in the junk box? No problem - most of these values are not that critical, just get as close as you can. Anywhere from 1/2 to 2X is almost certain to work, and often 1/10 to 10X will get you by.

Because making a circuit board is a project unto itself, and can be intimidating, I'm not going to do a circuit layout. There are two main options. One is to get a perforated circuit board from Radio Shack, Digikey or Mouser. But that board can cost more than the entire project, so I did mine "dead-bug" style on a little scrap of circuit board.

5. Op. Cit., see footnote 2.





There are only a few precautions. Make certain to count the pins on the IC in the correct way. Flipping the IC over for "dead bug" style the pins will count *clockwise* from pin 1. And don't forget to observe the polarity on the capacitors. When you connect them backwards they have a nasty habit of blowing up in your face after being powered up for about 10 minutes. It sounds like a firecracker. A most rude awakening, especially late at night when the little aluminum can bounces off your forehead and capacitor-fuzz gets all in your nose, eyes and ears. Don't overheat the IC pins. A good soldering iron is a great investment.



To build this circuit it took me just under two hours and that includes writing this text; I started at 5PM and it is now 7PM. Building the board probably took less than 45 minutes. I drilled two holes in opposing corners so I could mount it later. Also I scrubbed the board with a pot-cleaning pad before soldering to it. The board I used is about one and one-half inches square.

I just tacked a volume control on the board for testing purposes. I used a function generator to test it - it worked first time. I plan on using this circuit over and over again for little construction projects in the Newsletter in the next few months. There is only a handful of parts here, so that makes it hard to get a minimum order unless there are other things you want to order as well. If there is enough interest I will make kits available. I'll try to bring a few to the next Club meeting.

73, Don, WS4NC

## NCQP Soapbox, Continued from page 6

**Roy WA4DOU:** My NA logging program wouldn't accept stations that changed counties and "duped" the second QSO's. Also wouldn't accept 3 letter county abbreviations. I had to use 4 and sometimes it didn't like the 4th letter, so I had to be creative. Needless to say, I had a lot of editing to do to straighten it all out. 40 meters was the workhorse band followed by 80. This is my first NC QSO PARTY in a long time. My impression was that there was a lot of activity for a state QSO party. Lots of fun. CW was the big performer, no surprise there! Thanks to all for the QSO's. Hope to see you all again next year.

**Matt K4AQ:** My third NCQP (log not submitted for the first NCQP) Was able to operate during the last 1.7 hrs of the QSO party. Surprised how well the mobile sigs performed on 80m. Yaesu FT-897D transceiver operated at 5 watts into an OCF 28-gauge insulated wire stealth antenna up 45 feet in trees next to I-75 in downtown Atlanta industrial area. SGC SG-237 Smartuner. MicroHAM USB rig interface. WriteLog 10.52f.

**Larry N4VA:** For scoring, it's 43 phone, 27 CW, 91 mobile. Worked all of the bonus counties and bonus stations for the additional 300 points. Had a great time up here in northern Virginia following the mobiles around. Worked 23 new NC counties, leaving 8 to finish the state. Many thanks to the mobiles for all those miles and QSO's.

**Tony G3ZRJ:** Good conditions on 80m and 40m in the last couple of hours made for some good signals. Excellent and courteous operating from all stations.

**Dan KB6NU:** I wasn't going to operate, but when I turned the rig on and heard the contest, I couldn't resist. I had to defend my title as the highest scorer from the state of Michigan after all.... 73!

**Adam KD4MCA:** Great QSO Party. Many thanks to all the mobiles out there, they were fun to chase around. Also, a great big thanks to all those who slowed down and copied my horrible fist on CW. I picked up some paddles the day before the contest and tried to use them, but probably should have stuck with the straight key. I went from 0 CW contacts last year to 28 this year. Thanks to all those who participated I reached most all my goals for this year and am looking forward to 2006. Peace and 73

**Steve N4C (WA3TMR):** I always get a buzz out of operating the NCQP. This year, however, the buzz was on my signal due to a bad interface cable between the rig and PC. We've got it fixed and we'll have a clean signal next year.

**Norm VE3NBJ:** Thanks to the organizers for another fine QSO party. Found propagation weak here today but thanks to the mobiles for a good result. Hope to be back again next year. Kenwood ts440s Antennas: 40 and 80 dipoles

**Robin WA4WPD:** This was my first try at the NC QSO Party. Tried it mobile. by myself. It's tough to drive, navigate, talk and log. OK, I spent a lot of time on the side of the road. Next time the computer will be used for logging not mapping. I will load the route into the GPS so the computer will be free for logging. Paper logs were real difficult to read the day after. If I botched your Q I'm sorry. There were three I just could not read. I hope the others are OK. Mobile rig is an Icom 706 feeding a Tarheel Screwdriver. Thanks go to NC4AR. Several times he gave the frequency to us mobiles so we could "be in the clear"- really unselfish of him. Is there an award for that? I'll be back next year. I will try a better route so I can cross into more counties. Will also try to work more bands. Thanks for a great QSO party. Ten hours is just about perfect.

## License Exams

The Forsyth Amateur Radio Club will offer license exam sessions on Saturday, June 4 at 9 AM at the American Red Cross Chapter House, 690 Coliseum Drive, in Winston Salem. This is across the parking lot from the Arts Council Theater ("Little Theater").

**Please call 336-723-7388 and leave a message that you are planning to attend. If no one calls, by Friday night before, the session may be canceled.**

Also another exam session will be held at the Winston-Salem Hamfest, June 11 at 11 AM. Examinees need: Photo ID, ORIGINAL and COPY of all documents (License, CSCEs, anything else submitted for exam credit), Social Security Number, and fee of \$12.

Registration begins at 8:30 AM. Exams begin at 9:00. Please arrive before 9:00 because if you aren't there we might leave!

## Calls Heard (@ the April Meeting)

The April meeting was attended by a good crowd--- No Fooling! Here's the list: Tom, N4IOZ; Mike, KB4WJA; John Mahan and Brian Mahan; Melissa, W4RXG; Don, WS4NC; Harold, WB4ADC; James, KI4JML; Dick, W4UW; Steven, KG4TWU; Fred, WB4QXG; Van, KC4WSK; Tim, AG4RZ; Ed, KU4BP; Woody, KF4PLQ; Carl, N4PAA; Jeff, AC4YN; "Tink," W4DownCarolinaWay; Don, KT4KV; Dan, KG4ECI; John, N0KTY; and Robert, KG4NEP. Visiting with us was Joe Streble (does anyone know if Joe used to work at WGHP?)

*73, Tom, N4IOZ*

## Calls Heard (@ the May Meeting)

The May meeting had the room busting at the seams as we found a swell crowd turned out for another interesting program. In the group were Arthur, KK4JI; Don, KT4KV; John, N4JP; Ed, AF4XC; Tim, KF4HHG; Carl, N4PAA; Fred, WB4QXG; Alex, KI4DDD; James, KI4JML; Dick, W4UW; Don, WS4NC; Benny, REACT; Ken, KG4FGC; Jack, NW4O; Barbara, KE5ACN; Ron, AA4S/M; Melissa, W4RXG; Ben Wilson; Robert, KG4NEP; Henry, W2DZO; Dan, KG4ECI; Van, KC4WSK; Dale, WB9SZL; Jack, KI4FCP; Woody, KF4PLQ; Steven, KG4JWU; John, N0KTY; and Tom, N4IOZ. That's 28 "in the log" but, looking around the room at one point, there were at least 33 at one point!

## June Meeting Program

**June 13, 2005**

The Program this month will be an overview of the Hamfest and preparation for Field Day. A few kits for the audio amplifier in this month's newsletter will be available.

*73s, Melissa Leonard Hall W4RXG  
Vice President*

## The Newsletter Hamfest:

### House for Sale (Now without towers!):

934 Franklin Street 3br/2ba, with wired shop outside, patio, remodeled kitchen & both baths. \$129,900. Convenient downtown location in historic West Salem. Henry, W2DZO 336-945-0406

**Force 12 C3E** - I have on the ground and ready for pick up a Force 12 C3E- bought it new around 4 years ago- a smokin tribander. \$400 OBO- just outside of Winston-Salem- also have Bt1 rotator/controller which turned the C3E. \$100 OBO- can make arrangements for Durham HF? 73, Henry, W2DZO, 336-945-0406

## TOWERS & HARDLINE

Various towers, hardline and tower parts. I also have hardline connectors from \$20.00 - \$75.00 by size. If you're interested you can reach me by e-mail or call!! Delivery can be arranged within 50 miles or so. KG4NEP, Robert L. Whitaker Jr. 336-997-6896  
kg4nep@yahoo.com

### Looking for a 2-Meter Handheld

Hi, I am looking for a used hand held transceiver that works good. There may be someone in the club that is selling one. Gail, 725-3499

## W4DAC-SK

This came as a shock to me, I didn't even know that Dwight had been sick. He was a superb guy and almost always smiling and had a funny thing to say. He will be missed.

### Dwight Aaron Cates

KING - Mr. Dwight Aaron Cates, 56, of King died Sunday, May 1, 2005, at J.R. Jones Medical Center. Mr. Cates was born March 11, 1949, in Forsyth County to Lola Irene Marshall Cates and the late Aaron Otis Cates. He lived most of his life in Forsyth County and moved to King several years ago. He retired as a welder, served in the U.S. Army and was a Vietnam veteran. Mr. Cates was a very dedicated member of the American Radio Relay League and was a major NTSD traffic handler. He was appointed an ARRL emergency coordinator for Stokes County and a volunteer examiner for FCC amateur radio licensure. Mr. Cates is survived by his wife of 36 years, Sandy Kiger Cates of the home; a daughter, Cindy Lee Cates of Winston-Salem; a very precious granddaughter, Casey Lee Cates who was the light of his life and he hers; and three brothers, Keith Cates and his wife, Phyllis, David Cates and his wife, Debbie, and Steve Cates and his wife, Elaine. The service will be conducted at 11 a.m. Friday, May 6, at Vogler and Sons Reynolda Chapel, with Keith Cates and Pastor Ricky Shrewsbury of The Rock Church in King officiating. Interment will follow at Forsyth Memorial Park, with military grave side rites conducted by District 11 South Memorial Honor Guard. The family will receive friends one hour before the service at the funeral home. Memorials may be made to the Casey Lee Cates College Fund, 158 Trinity Drive, King, NC 27021.

Published in the Winston-Salem Journal on 5/4/2005.

# ARRL NC Section News Summary

Hurricane season starts June 1st. Last year we had six storms that affected our state, showing that no part of our state is immune to the effects of hurricanes. However, it only takes ONE to cause major problems for us. In 1992, only one hurricane made landfall in the United States - Hurricane Andrew, the most destructive United States hurricane of record. So, don't let predictions about the number of storms for the coming season make you complacent.

Make sure you are prepared to deal with whatever kind of disaster might happen in your area. I have a document that I wrote a while back that discusses both personal disaster preparedness as well as Amateur Radio Disaster Preparedness that you might find interesting to read. It includes some links to some other disaster preparedness resources and is located at:

<http://www.ncarrl.org/ares/prepare.html>

I am sad to report some silent keys: A.B. Brackett, AB4E and Dwight Cates, W4DAC. Both were active on our HF nets and Dwight was EC of Stokes County.

*73, John Covington, W4CC*

## And . . .

## in other news . . .

### Shelby Hamfest, back on track . . .

An article from the Shelby Star made the ham radio rounds last month. It seems the Cleveland County Fairgrounds has a new manager. The new manager raised the rates so high for the Shelby Hamfest that the possibility of not holding the event or holding the event outside of Cleveland County was discussed.

Never fear. According to John, W4JL, as quoted by K4TRM) the contract has been signed as of March 29. Everything is back on schedule for this year.

The Shelby Hamfest began at Brackett's Cedar Park in Casar but was moved to the fairgrounds for the past 25 years because it outgrew Cedar Park.

## CW, or Text Messaging?

For those who missed it on The Tonight Show with Jay Leno, good ole Morse Code (CW) won out over text messaging.... Here is a link to view/download it at:

<http://www.tarc.org/index.php?load=leno>

About 13 MB so if you are dial-up, prepare to wait...

BTW the Morse code team consisted of Chip Margelli K7JA and Ken Miller K6CTW dressed in old telegraph operator outfits. Chip and Ken do a lot of contests and DXpeditions. Chip is also a high level manager with Yaesu USA, which sells amateur/ham as well as commercial 2way gear. Joe Drago, props manager for the show is KF6OCP.

This is the 2nd time in a row CW has beaten the best in text messaging.....and the message sent this time was hilarious!!

*[Ed. This is from an email by] Chris, WB5ITT*

## ARRL: New Amateur Radio satellite in orbit

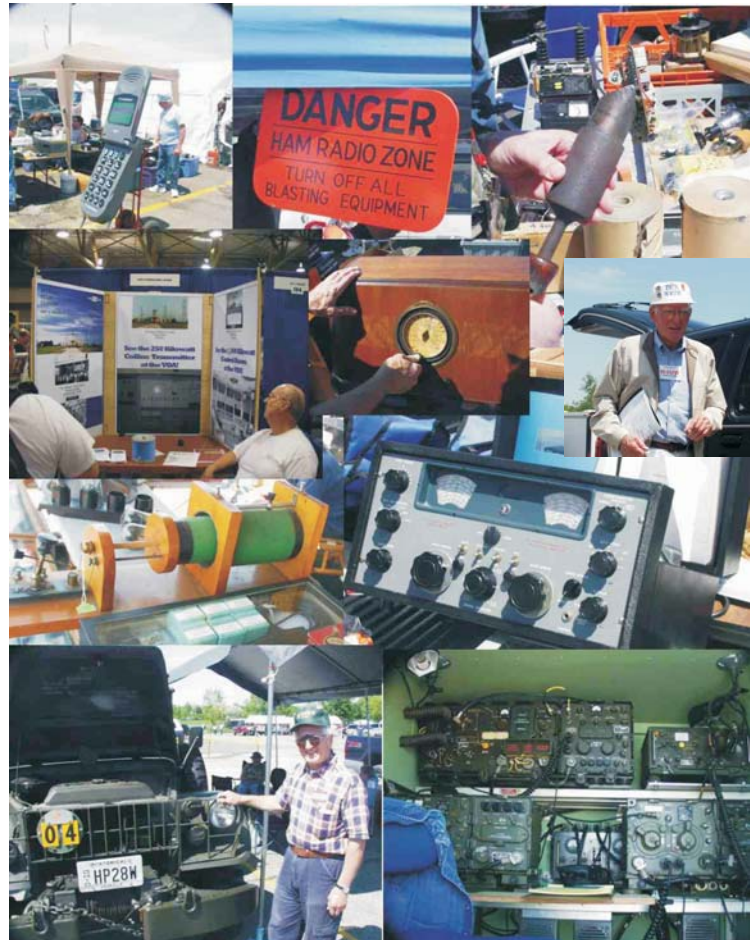
HAMSAT (or VUosat) is the latest Amateur Radio satellite in orbit. It is India's first.

Going into space with the 42.5 kg HAMSAT was the primary payload--the 1560 kg Indian remote sensing satellite, CARTOSAT-1. The spacecraft were placed into polar sun synchronous orbits at an altitude of 632 x 621 km with an equatorial inclination of 97.8 degrees.

HAMSAT will provide two new linear mode U/V transponders for SSB and CW use only. Only one transponder will be active at any given time. AMSAT-India indicates the UHF uplink will be in the 435.35 MHz range, while the VHF downlink will be in the 145.90 MHz range. Details are not yet available.

## Dayton Hamfest

Several of us found our way to Dayton again this year. Presented here is only a small tease of what Dayton was about. I couldn't manage to see it all. The most amazing thing for me was to see Dick Genaille walking up to our booth. We didn't know that Dick was going to Dayton.



## Editor's Corner

For information to make it into the Newsletter, I need submissions no later than the morning of the 4th Monday of the month. Email me at [ws4nc@arrl.net](mailto:ws4nc@arrl.net) with any submissions. Just plain text is all that's required, most formatting will be redone to match the Newsletter's form anyway. Pictures can be most any form, but jpg's are probably best. Pictures need to be of the highest resolution possible.

*73, Don, WS4NC*

# Winston-Salem Hamfest

Outdoor & Air Conditioned

Indoor Hamfest!

Talkin 146.64

Alternate 145.47

**TABLES AVAILABLE**

**LIMITED NUMBER - RESERVE EARLY!**

**BIG TAILGATING AREA**



**ARRL Sanctioned  
Hamfest.**

Gates open at 6 AM for setup. Camping available Friday night.

Directions: I-40 to Winston-Salem then to US-52, North on US 52 to Akron Dr. - Left on Akron Dr. then left on Reynolds Blvd. - Left on Shorefair Dr. - Second

# June 11, 2005